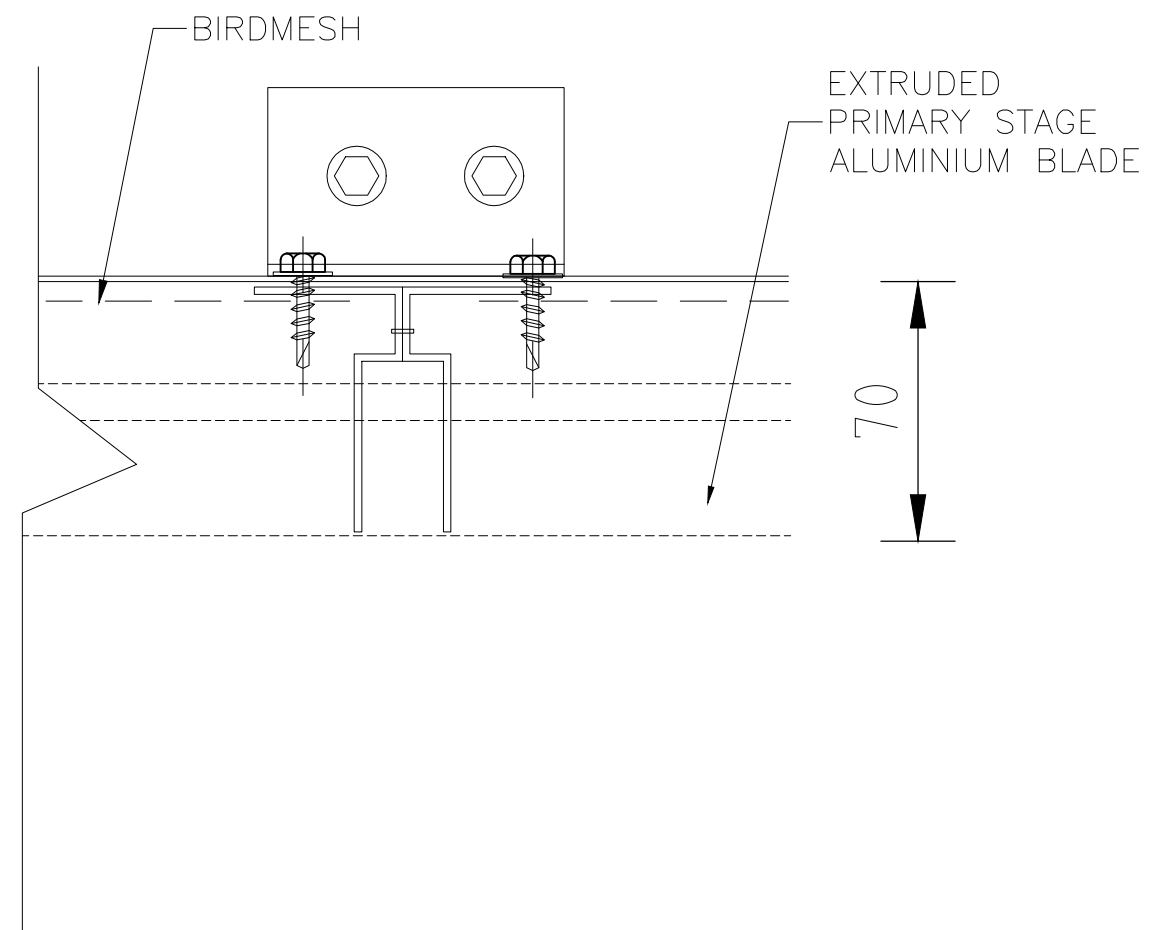



JAMB DETAIL  
 BIRDMESH OR  
 BLANKING PANEL  
 INTO MASONRY



INTER MULL DETAIL  
 BIRDMESH OR  
 BLANKING PANEL  
 INTO MASONRY

Rev	Description	Date
 <b>element control systems</b> commercial louvres & solar shading		
3/109 Ledger Road BEVERLEY SA 5009 ABN 20 143 060 360 Telephone (08) 8243 0011 Facsimile (08) 8243 0711		
Project		<b>ECS 55 PRIMARY STAGE LOUVRE</b>
Title		<b>Jamb Into Masonry</b>
Drawn	DW	Checked HW
Date	22/03/12	Scale 1:2
Drawing No.	SS - 55 - 05	Revision No.