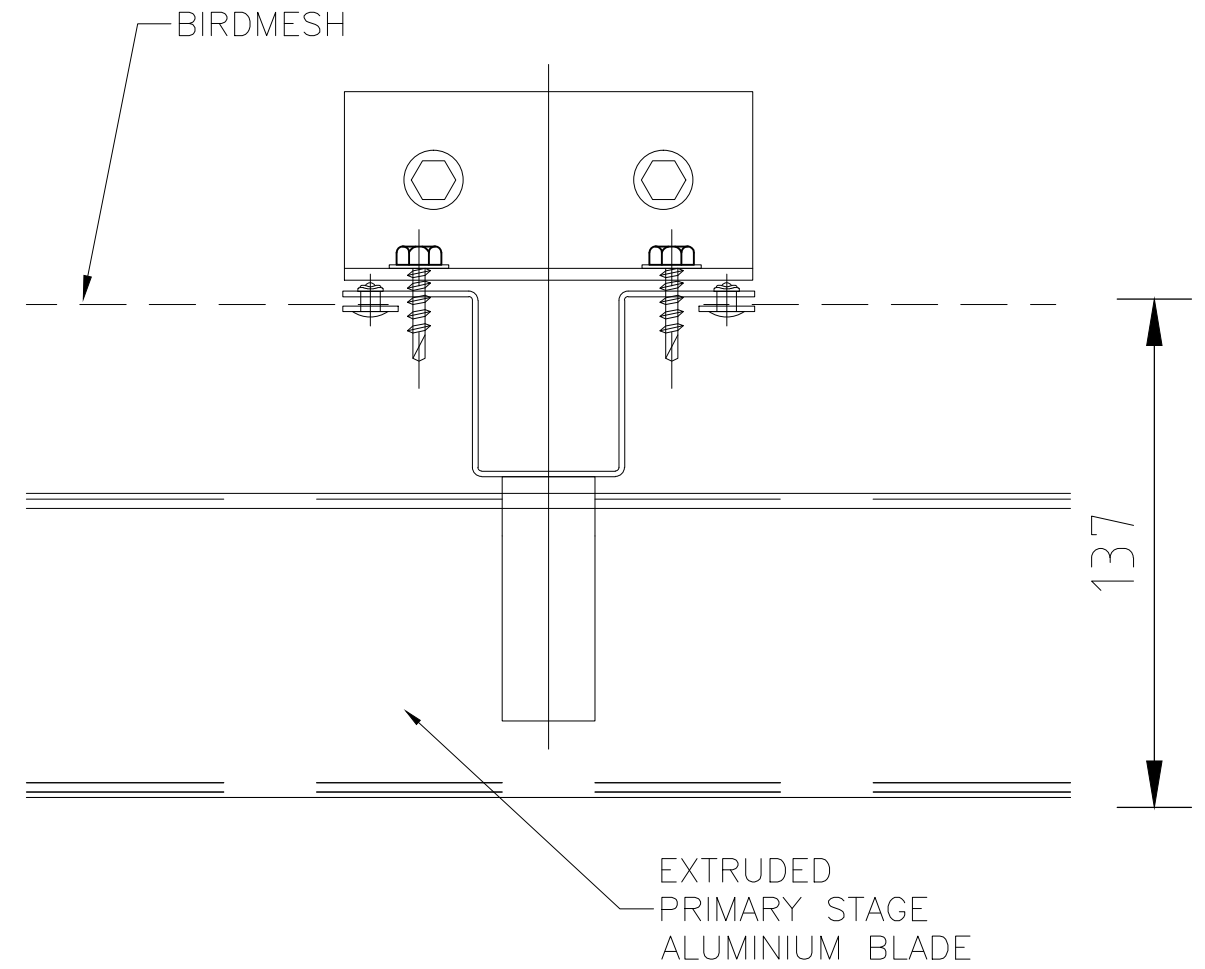
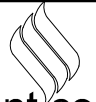


JAMB DETAIL
INSECT MESH



INTER MULL DETAIL
INSECT MESH

Element Control Systems
© Copyright

Rev	Description	Date
 element control systems commercial louvres & solar shading		
3/109 Ledger Road BEVERLEY SA 5009 ABN 20 143 060 360 Telephone (08) 8243 0011 Facsimile (08) 8243 0711		
Project ECS 100 PRIMARY STAGE LOUVRE		
Title Jamb Into Cladding		
Drawn	DW	Checked HW
Date	22/03/12	Scale 1:2
Drawing No.	PS - 100 - 06	Revision No.