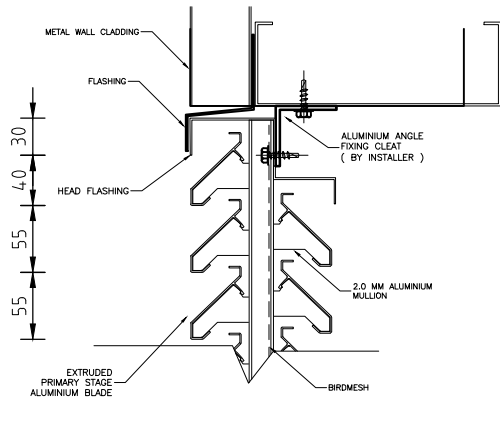


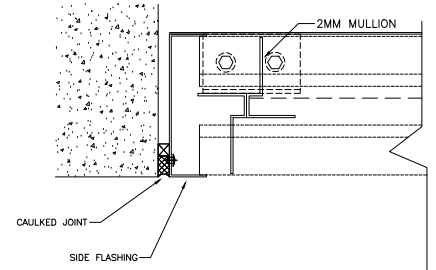
ELEMENT CONTROL SYSTEMS
55 DUAL STAGE LOUVRE HEAD
INTO MASONRY

55 DUAL STAGE LOUVRE	
Louvre Head into Masonry	
Dr	Rev
22/03/12	12
Element Control Systems © Copyright	

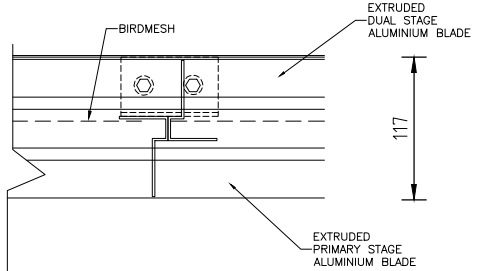


ELEMENT CONTROL SYSTEMS
55 DUAL STAGE LOUVRE HEAD
INTO CLADDING

55 DUAL STAGE LOUVRE	
Louvre Head into Cladding	
Dr	Rev
22/03/12	12
Element Control Systems © Copyright	

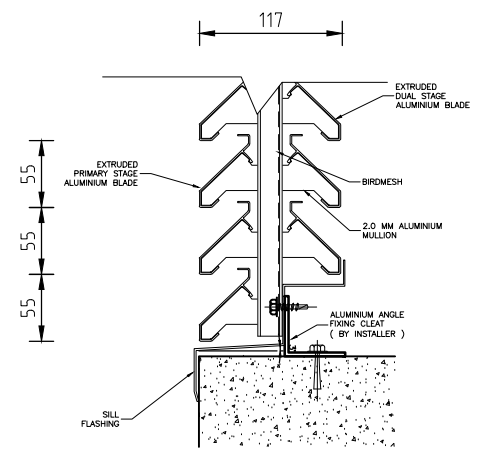


JAMB DETAIL
BIRDMESH OR
BLANKING PANEL
INTO MASONRY



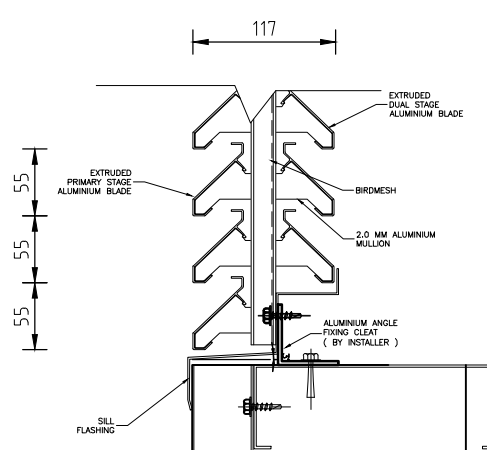
INTER MULL DETAIL
BIRDMESH OR
BLANKING PANEL
INTO MASONRY

55 DUAL STAGE LOUVRE	
Jamb into Masonry	
Dr	Rev
22/03/12	12
Element Control Systems © Copyright	



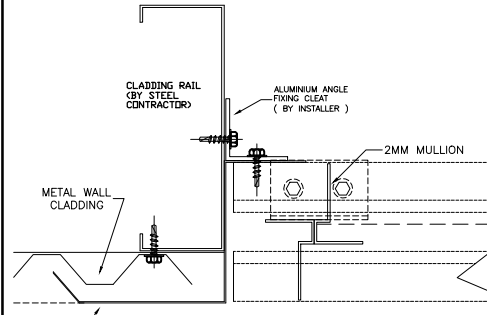
ELEMENT CONTROL SYSTEMS
55 DUAL STAGE LOUVRE
SILL INTO MASONRY

55 DUAL STAGE LOUVRE	
Louvre Sill into Masonry	
Dr	Rev
22/03/12	12
Element Control Systems © Copyright	

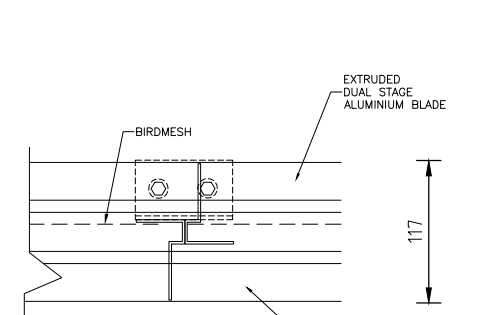


ELEMENT CONTROL SYSTEMS
55 DUAL STAGE LOUVRE
SILL INTO CLADDING

55 DUAL STAGE LOUVRE	
Louvre Sill into Cladding	
Dr	Rev
22/03/12	12
Element Control Systems © Copyright	



JAMB DETAIL
BIRD MESH



INTER MULL DETAIL
BIRD MESH

55 DUAL STAGE LOUVRE	
Jamb into Cladding	
Dr	Rev
22/03/12	12
Element Control Systems © Copyright	