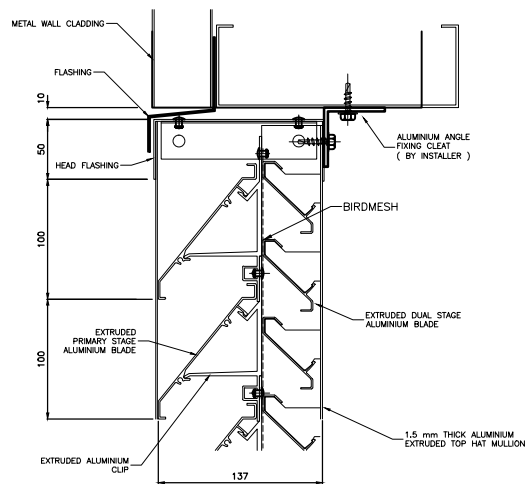


ELEMENT CONTROL SYSTEMS
100 DUAL STAGE LOUVRE HEAD
INTO MASONRY

element control systems	
100 DUAL STAGE LOUVRE	
Louver Head Into Masonry	
DW	REV
22/03/12	12
05 - 10 - 11	

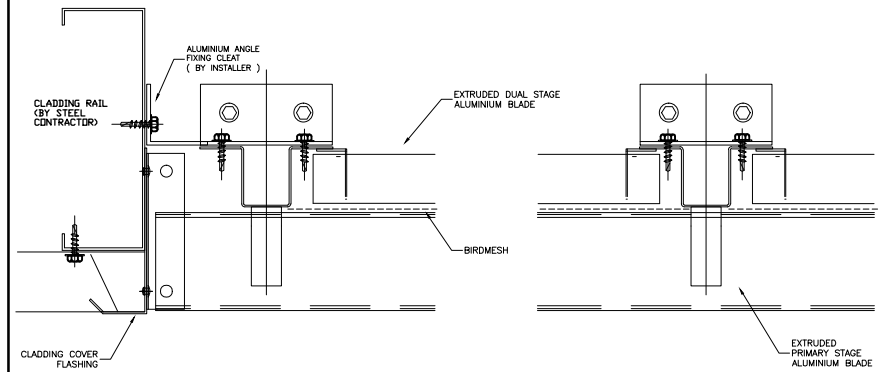
Element Control Systems
© Copyright



ELEMENT CONTROL SYSTEMS
100 DUAL STAGE LOUVRE HEAD
INTO CLADDING

element control systems	
100 DUAL STAGE LOUVRE	
Louver Head Into Cladding	
DW	REV
22/03/12	12
05 - 10 - 11	

Element Control Systems
© Copyright

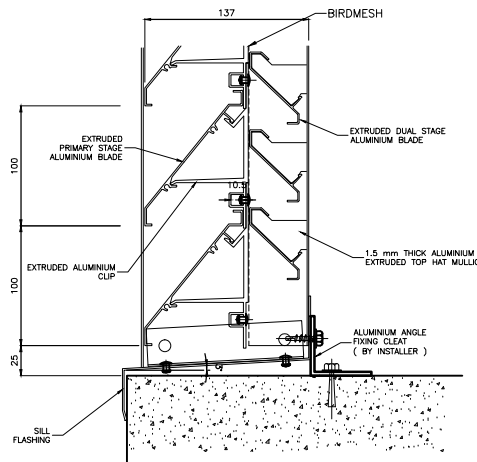


JAMB DETAIL
BIRDMESH

INTER MULL DETAIL
BIRDMESH

element control systems	
100 DUAL STAGE LOUVRE	
Jamb and Inter Mull Details	
DW	REV
22/03/12	12
05 - 10 - 11	

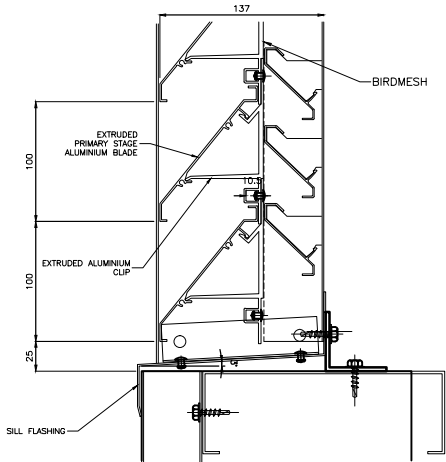
Element Control Systems
© Copyright



ELEMENT CONTROL SYSTEMS
100 DUAL STAGE LOUVRE
SILL INTO MASONRY

element control systems	
100 DUAL STAGE LOUVRE	
Louver Sill Into Masonry	
DW	REV
22/03/12	12
05 - 10 - 11	

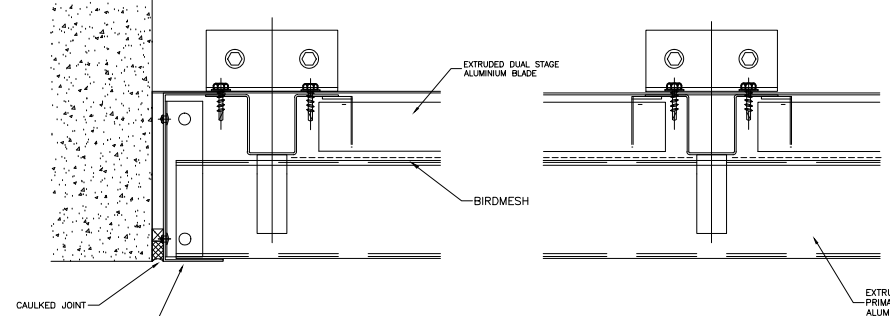
Element Control Systems
© Copyright



ELEMENT CONTROL SYSTEMS
100 DUAL STAGE LOUVRE
SILL INTO CLADDING

element control systems	
100 DUAL STAGE LOUVRE	
Louver Sill Into Cladding	
DW	REV
22/03/12	12
05 - 10 - 11	

Element Control Systems
© Copyright



JAMB DETAIL
BIRDMESH OR
BLANKING PANEL
INTO MASONRY

INTER MULL DETAIL
BIRDMESH OR
BLANKING PANEL
INTO MASONRY

element control systems	
100 DUAL STAGE LOUVRE	
Jamb and Inter Mull Details	
DW	REV
22/03/12	12
05 - 10 - 11	

Element Control Systems
© Copyright